

## Technical Specifications

### System Specifications & Requirements

Dimensions (H x D x W)	Optics Module: 507 x 301 x 293 mm Table: 718 – 900 x 642 x 935 mm
Weight	Optics Module: 11 kg Complete System: 105 kg
Ambient Operating Conditions	Temperature: +10°C to 40°C (50°F to 104°F) Rel. humidity: 30% to 75% Air pressure: 700 hPa to 1060 hPa
Transport & Storage Conditions	Temperature: -5°C to 70°C (23°F to 158°F) Rel. humidity: 10% to 95% Air pressure: 500 hPa to 1060 hPa
Input Voltage & Maximum Current	Line Voltage                      Max Current 120VAC, 60Hz                      7 A peak 100VAC, 50-60Hz                      10 A peak 220VAC, 50-60Hz                      4 A peak
Classification (IEC 60601-1)	Type of electric shock protection: Degree of protection against electric shock: Degree of protection against water penetration:

### System Characteristics

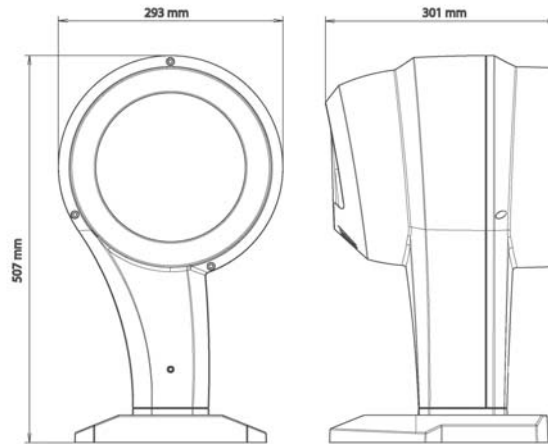
Measuring Principle	Rotational scan of Dual-Scheimpflug slit images merged with Placido Disc images
Scheimpflug camera	1000 x 1000 pixel CCD
Top view camera	1024 x 786 pixel CCD
Placido disk	20 monochrome rings; 200 mm diameter
Observation illumination	Infrared LED 810nm
Slit illumination (flash)	Blue LED Light (UV-free) 470 nm, max. 15 mWsec
No. of Scheimpflug images per scan	Typically 15 to 60 (settable by user)
No. of measured data points per scan	> 122'000
Time for a full scan	1 to 2 secs
Total area covered	14 mm

### Data Processing & System Control

Computer	Dual Core processor 3 GHz, 2GB RAM, 240 GB Hard Disk
Operating System	Windows XP
Monitor	17" color LCD monitor, 1280 x 1024 pixel
Peripherals	Keyboard, mouse
Hardware interface(s)	2 USB connectors (for keyboard and mouse)

## Scale Drawings

### Optics Unit:



### Table:

